



6W (1/124 HP)

INDUCTION MOTORS Frame size 61mm sq. (2.4 in.sq.)

Single-Phase

LEAD WIRE TYPE

SPECIFICATIONS

CONTINUOUS DUTY, INSULATION CLASS A or E, 4POLES

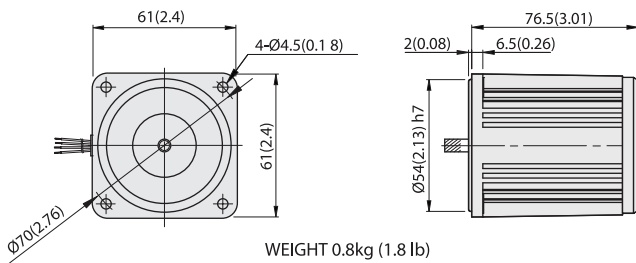
Model	Output		Voltage (V)	Frequency (Hz)	Rated					Starting Torque			Capacitor (μF)	
	(HP)	(W)			Input (W)	Current (A)	Torque			Speed (rpm)	(kg-cm)	(N-m)		(oz-in)
L616□C	1/124	6	1∅100	50	23	0.22	0.47	0.046	6.53	1250	0.46	0.045	6.39	3
				60	23	0.2	0.38	0.037	5.28	1550	0.46	0.045	6.39	
L616□D	1/124	6	1∅200	50	23	0.11	0.47	0.046	6.53	1250	0.46	0.045	6.39	0.8
				60	23	0.11	0.38	0.037	5.28	1550	0.46	0.045	6.39	
L616□B	1/124	6	1∅220	60	30	0.12	0.38	0.037	5.28	1550	0.47	0.046	6.53	0.7
L616□E	1/124	6	1∅115	60	30	0.22	0.38	0.037	5.28	1550	0.45	0.044	6.25	2.5
L616□X	1/124	6	1∅220~240	50	30	0.12	0.47	0.046	6.53	1250	0.45	0.044	6.25	0.7

- * Model in grey screen represents the motors with IMPEDANCE PROTECTED according to UL regulation.
- * Model in dark grey screen represents the motors with IMPEDANCE PROTECTED according to CE regulation.
- * In case of some models certificated for export, the special cord like CE or UL is added after the existing model no. ex) L9160 □XH-CE, L9160 □EH-UL.
- * Insulation class for motors which acquired certificates for export is B.

DIMENSIONS

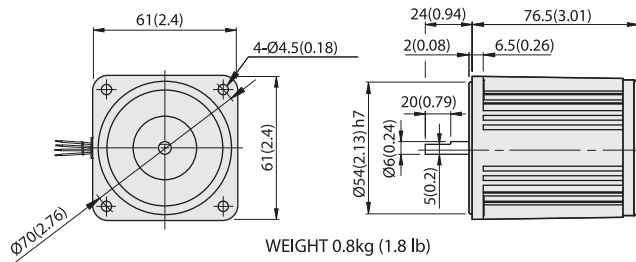
Unit : mm(inch)

L616P□L



WEIGHT 0.8kg (1.8 lb)

L616D□

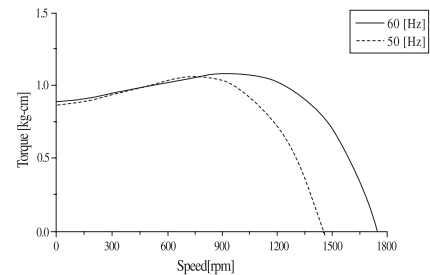


WEIGHT 0.8kg (1.8 lb)

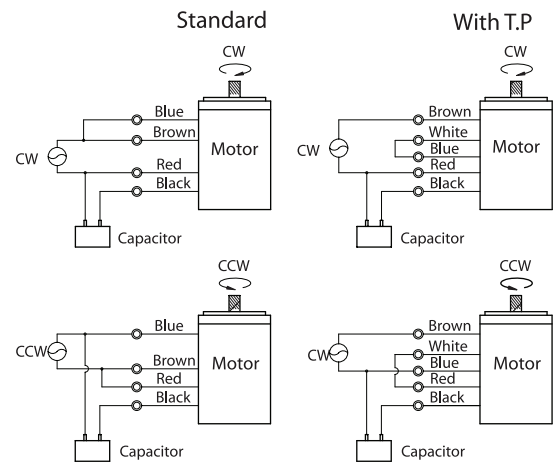


SPEED-TORQUE CURVE

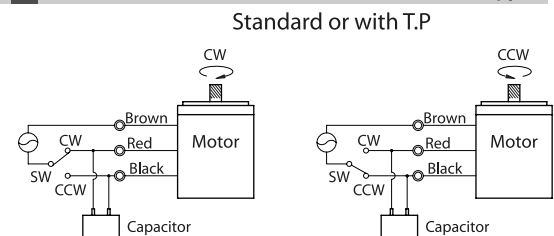
Single phase L616□□



CONNECTION DIAGRAMS (4-lead wire type)



CONNECTION DIAGRAMS (3-lead wire type)



The direction of rotation is seen from the end of motor shaft.